



Conway External Wall and Ceiling Mounted Housings

EHC4, EHW4 and Corner Kit

Features:

- Vandal resistant construction
- Manufactured to IP65
- Available in 304 stainless steel
- Manufactured from stainless steel (3CR12)
- Corner Kit available for EHW4
- Finished in morning mist BS10A03 as standard
- Low or high voltage heaters
- Special finishes available
- Replacement polycarbonate screens available
- Cable termination
- Anti tamper kits

The Conway range of external camera housings is designed specifically to provide an environment for camera and lens assemblies that is safe from interference and the weather. The housing also gives the added advantage of hiding cables and wires that might be unsightly in many situations.

The camera mounting assembly has been designed to cope with most major cameras on the market. It has the ability to take top or base mounting cameras and the removal of one part of the assembly will allow the housing to be mounted on a wall either left or right facing.

The EHW4 is designed to allow the camera and lens to look directly out from a wall or flat vertical surface. A small amount of side-to-side adjustment is possible (approx. 20 degrees). Vertical adjustment (approx 60 degrees) is also possible.

Conway External Wall and Ceiling Mounted Housings

Optional

- The CK is a corner mounting unit made for the EHW4 which allows the unit to be fixed in a 90 degree corner.
- Heater, please specify voltage when ordering.

Special Finishes At Conway we manufacture all of our products at our factories in High Wycombe and are therefore able to apply special colour finishes to customer specifications.

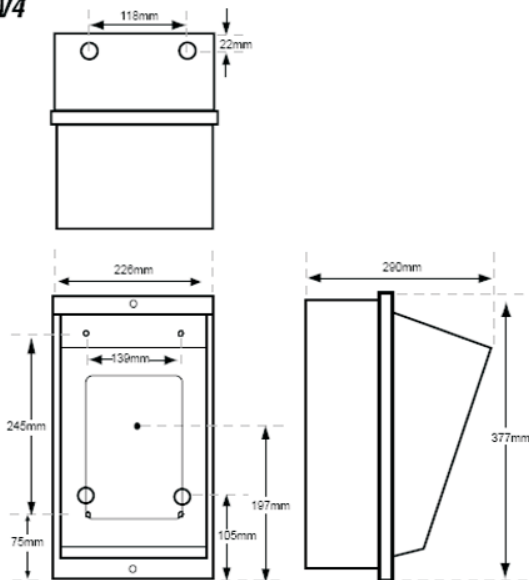
Specifications

Material
Stainless steel (3CR12)
Finish
Powder coated BS10A03
Window
Polycarbonate
Two Single Locking Screws
M8

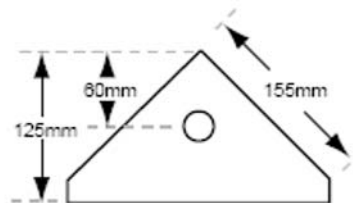
Options

T2 Anti-tamper switch
T4 Monodrive hexagon tool and bolt
304 stainless steel
Low and high voltage heaters

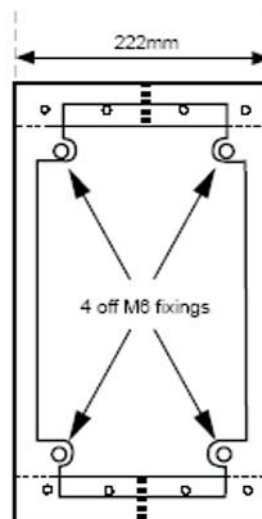
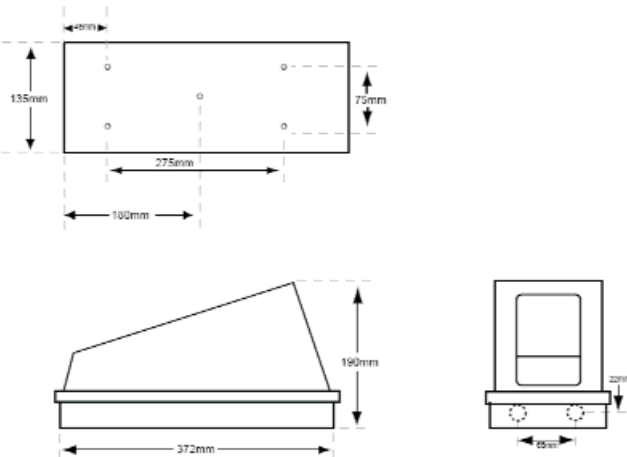
EHW4



EHW4/CK



EHC4



For further information on how ADT can help you, contact your local office or phone free on **0800 010 999** or visit us at www.adt.co.uk



Head Office: ADT Fire and Security plc, Security House, The Summit, Hanworth Road, Sunbury-on-Thames, Middlesex TW16 5DB.
ADT and ADT Always There is a registered trademark of ADT Services AG and used under license.
ADT reserves the right to modify or withdraw any product or service without notice.

Ref No PSS120A Issue 2 July 2006

