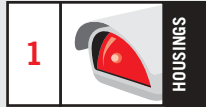




HOV32K1A000

- Indoor/outdoor installations
- Side opening, easy camera servicing
- Weatherproof standard IP66 (with cable glands)
- Built-in wiper option
- Different mounting options: standard bracket, cable management bracket or P&T



HOV32D0A000 + WB0V

Innovative and stylish housing, designed to simplify installation and servicing, HOV ensures total protection against all environmental conditions. Due to its side opening, the accessibility to the camera, lens and all its connections is made far easier.

Its weatherproof features are ensured by neoprene-rubber gaskets and 2 PG9 + 1 PG11 cable glands with their specific gaskets.

The body is made of die-cast aluminium; the sunshield of ABS material. The sunshield with its integrated edge-protector offers good thermal insulation. HOV offers the possibility of various mountings, wall or ceiling brackets, standard or full cable management brackets, or Pan & Tilt heads.

The housing can be equipped with a built-in, self-parking wiper. The wiper does not interfere with the viewing range of the installed camera.

A specific version with a very efficient cooling system is available for installation with IP cameras and for high environmental temperature.

A wide range of accessories is available, including sunshield, heater and fan-assisted heater, blower and camera power supply, wiper and alarm tamper switch.

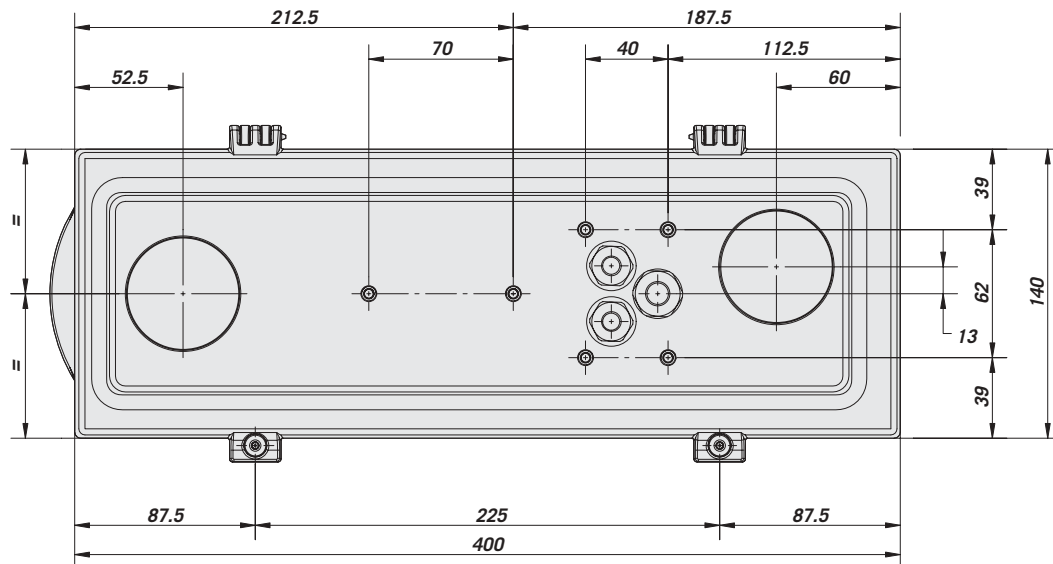
These accessories are supplied as a simple plug-in kit for easy installation or factory-installed.



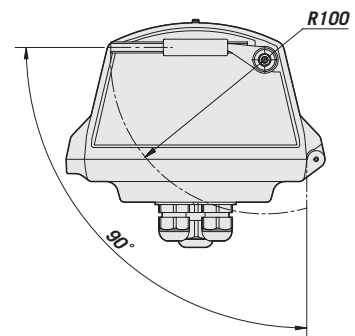
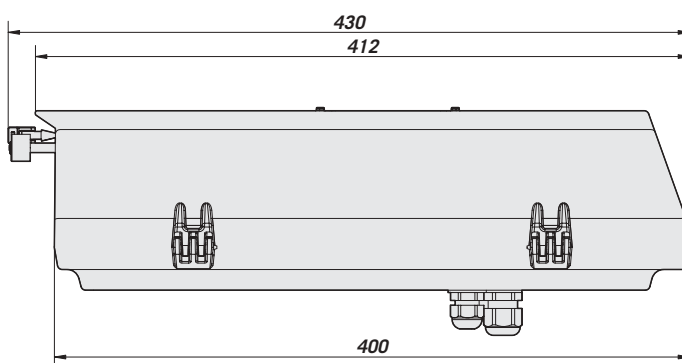
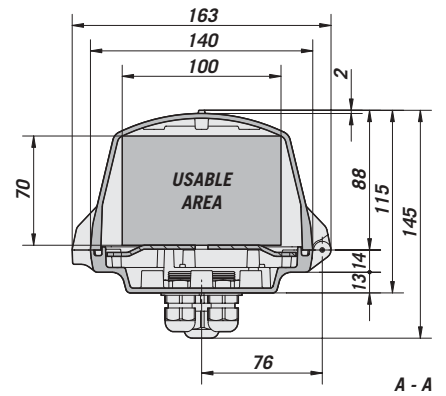
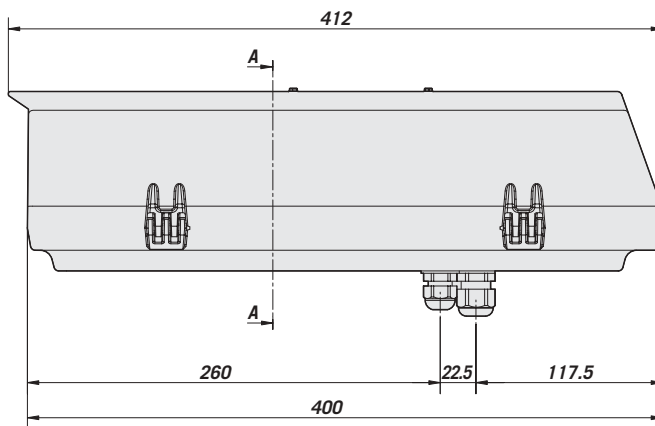
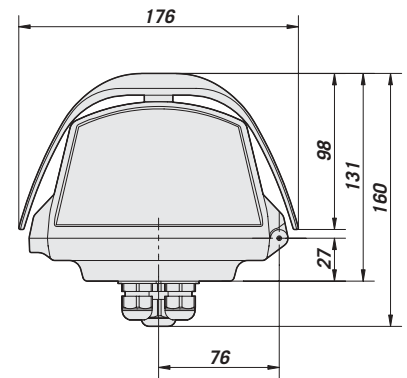
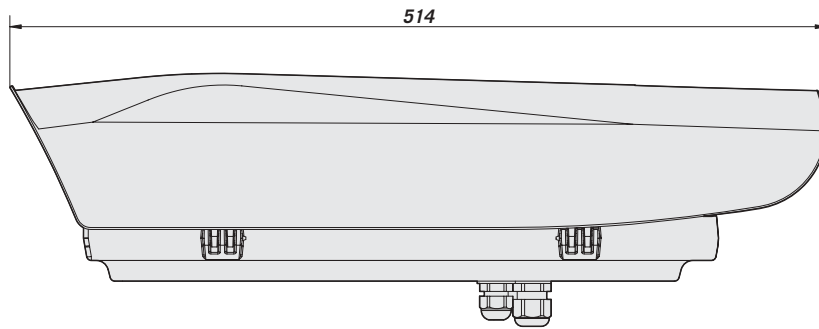
MODELS

	Sunshield	Heater 115/230VAC	Heater 12VDC/24VAC	Blower 230VAC	Blower 24VAC	Blower 12VDC	Wall mount WBOV	Wiper 230VAC	Wiper 24VAC
HOV32D0A000									
HOV32K0A000	•								
HOV32K1A000	•	•							
HOV32K2A000	•		•						
HOV32K0A018	•			•					
HOV32K1A018	•	•*		•					
HOV32K0A016	•				•				
HOV32K2A016	•		•*		•				
HOV32K0A017	•					•			
HOV32K2A017	•		•*			•			
HOV32K1A085	•	•					•		
HOV32K2A085	•		•				•		
HOV32K1A100	•	•						•	
HOV32K2A200	•		•						•

* Heater fed only in 230VAC or 24VAC or 12VDC



The values are in millimeters.



The values are in millimeters.

**HOV****SIDE OPENING ALUMINIUM HOUSING****TECHNICAL DATA****GENERAL**

- Body made of die-cast aluminium
- Sunshield made of ABS
- RAL9002 Colour
- Supplied with: instruction manual, accessories for camera/lens installation

MECHANICAL

- 3 removable cable glands: 2xPG9 and 1xPG11
- Internal usable dimensions (WxH): 100x70 mm (3.9x2.7 in)
- Usable Length with accessories: 250 mm (9.8 in)
- Glass window (WxH): 118x75 mm (4.6x2.9 in)

ELECTRICAL**Heater, Ton 15°C+/-3°C (59°F) Toff 22°C +/-3°C (71°F):****OHOVH2** IN 12VDC/24VAC, consumption 20W**OHOVH1** IN 115/230VAC, consumption 40W**Blower with thermostat and double air filter, Ton 35°C+/-3° (95°F) Toff 22°C +/-3°C (71°F):****HOV32K0A018** Complete with wide range power supply IN 100-240VAC - OUT 12VDC, consumption 4 W (max)**HOV32K1A018** Complete with wide range power supply IN 100-240VAC - OUT 12VDC, consumption 4 W (max) + heater 40W**HOV32K0A017** IN 12VDC, consumption 4 W (max)**HOV32K2A017** IN 12VDC, consumption 4 W (max) + heater 20W**HOV32K0A016** IN 24VAC, consumption 4 W (max)**HOV32K2A016** IN 24VAC, consumption 4 W (max) + heater 20W**Camera power supply:****OHOVPS1B** Power supply wide range IN 100-240VAC, 50/60Hz - OUT 12VDC, 1A max**OHOVPS2B** Power supply IN 230VAC, 50Hz - OUT 24VAC, 400mA max**Integrated wiper:****HOV32K1A100** Wiper IN 230VAC, consumption 7 W**HOV32K2A200** Wiper IN 24VAC, consumption 7 W**ACCESSORIES**

- OHOVS32** Sunshield
- OHOVH1** Heater IN 115/230VAC
- OHOVH2** Heater IN 12VDC/24VAC
- OHOVPS1B** Power supply wide range IN 100-240VAC - OUT 12VDC
- OHOVPS2B** Power supply IN 230VAC - OUT 24VAC
- OHOVTA1** Alarm tamper-switch on board
- OHOV1** Heater fan assistant, continuous duty, IN 12VDC
- OHOV2** Heater fan assistant, continuous duty, IN 24VAC
- OHOV3** Heater fan assistant, continuous duty, IN 230VAC

RELATED PRODUCTS**Brackets:**

- WBJ** Wall mount with joint for HOV with cable glands
- WFWC** Column mount with joint for HOV with cable glands
- WCM3** Ceiling mount with joint for HOV with cable glands
- WCM5** Ceiling mount with joint for HOV with cable glands
- WBOV** Wall feed-through bracket
- WBOV3** Wall bracket mount, counterplate and junction-box with cable management
- WCM4** Ceiling feed-through bracket

P&T:

- PTH300 series** P&T, 50/60Hz for HOV with cable glands
- PTH900 series** P&T, 50/60Hz for HOV with cable glands

ENVIRONMENT

- Indoor-Outdoor
- Operating temperature:
HOV with heater: -20°C up to + 50°C (-4°+122°F)

COMPLIANCE TO

- CE according to EN 61000-6-3, EN 60950, EN 50130-4
- IP66 according to EN 60529 (with cable glands)
- IP54 according to EN 60529 (with internal cable management)
- IP44 (016, 017 and 018 models, max. inclination on the longitudinal axis +/- 45°)

SPARE PARTS LIST

- OBKFIL** Replacement filters kit (for 016, 017 and 018 models)

**Unit Weight (kg / lb):**

HOV32K1A000:

HOV32K1A085:

Package Weight (kg / lb):

HOV32K1A000:

HOV32K1A085:

Package Dimensions (cm / in):

HOV32K1A000:

HOV32K1A085:

Master Carton (units):

HOV32K1A000:

HOV32K1A085: