



## Bedside entertainment

### LCD TV and mounting brackets

#### Characteristics:

##### LCD TV:

- Best picture quality
- Versatile adaptation options for telephones, control devices, games console, DVD and CD players
- TV cable tuner and USW stereo radio tuner each with 99-programme memory
- Hygienic membrane keypad
- User guidance through on-screen displays
- Reading light and room light button

##### Mounting brackets:

- For bed, bedside locker, side table, on couch, wall or ceiling
- For stationary or mobile use
- Wide range of accessories
- Enables optimum viewing distance from the TV

#### LCD TV - the little all-rounder

##### More comfort in hospital - for all patients!

Quite simply, the LCD TVs bring more comfort for the bed and couch. That's because each patient can decide for themselves how much television and radio they want, and what kind of programme. No need for discussions with people in neighbouring beds - and no flickering screen to keep you awake at night.

Whether a hospital bed, dialysis bed or nursing ward, our LCD TVs ensure undisturbed television and radio enjoyment - anytime and anywhere. Includes versatile adaptation options for telephones, handheld devices, DVD and CD players.

#### Bracket systems for every requirement

The bracket system allows the television or telephone to be installed just where it is needed.

Whether by the bed, on the bedside locker, side table, couch, wall or ceiling, whether stationary or mobile, with our basic equipment, various connections and practical accessories, we have developed a system that meets every requirement.

All mounting brackets boast innovative ideas, e.g. easy-to-clean glass fibre-reinforced plastic and ease of handling.

# LCD TV - the little all-rounder

## BC - MediTec LCD TV8 (4:3)

The top seller



The MediTec LCD TV8 not only provides the optimal viewing distance from the bed, but also totally individual viewing for every single patient.

### Characteristics

- LCD television with 8" screen, picture format 4:3
- Dimensions (WxHxD) 204x192x56 mm
- Weight approx. 0.9 kg

## BC - MediTec LCD TV12 (4:3)

Ideal for ceiling mounting and customized solutions



The MediTec LCD TV12 offers versatile connection options for different media, entertainment and information requirements. A typical idea - and of course a stand-alone solution.

### Characteristics

- LCD television with 12" screen, picture format 4:3
- Dimensions (WxHxD) 286x267x56 mm
- Weight approx. 1.8 kg

## BC - MediTec LCD TV8.5 (16:9)

The "cinema" TV



The MediTec LCD TV8.5 offers both the 16:9 format and the 4:3 format. This means a screen diagonal of at least 7" even in 4:3 format.

### Characteristics

- LCD television with 8.5" screen, picture format 16:9
- Dimensions (WxHxD) 230x181x56 mm
- Weight approx. 0.9 kg

## BC - MediNet LCD TV15 (4:3)

With LAN connection and integrated analogue telephone



MediNet LCD TV15 is the ideal solution for patients and staff. With numerous communication options for TV, radio, the internet, the intranet with access to patient files and connection to the hospital information system.

### Characteristics

- LCD television with 15" screen, picture format 4:3
- Dimensions (WxHxD) 342x263x43 mm
- Weight approx. 2.95 kg

# Mounting brackets for every requirement

## Wall and ceiling mounting brackets

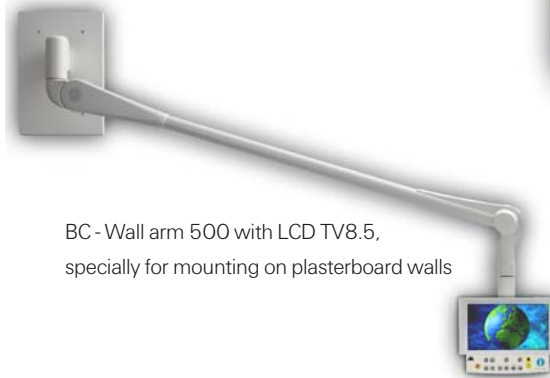
The wall and ceiling arms position the communication devices so that they are within reach, but not in the way.

- Maximum reach 1860 mm
- Closed cable duct
- Screen can be adjusted 25° up or down from the horizontal
- Screen can be adjusted at least 330° round the vertical axis
- Type 2000 with additional connection options
- Type 500 for attaching to plasterboard/beds

BC - Ceiling arm 2000  
with LCD TV12



BC - Wall arm 2000  
with LCD TV8



BC - Wall arm 500 with LCD TV8.5,  
specially for mounting on plasterboard walls

## Brackets for bedside locker

The bedside locker bracket is the simplest and most flexible bracket and the one most often used.

- Easily detachable swivel arm
- Screen can be adjusted 25° up or down from the horizontal
- Screen can be adjusted at least 330° round the vertical axis



Bracket for bedside locker  
with LCD TV8.5

## Bracket for side table

Because sometimes things are a little more complicated: simple solutions for unusual situations.



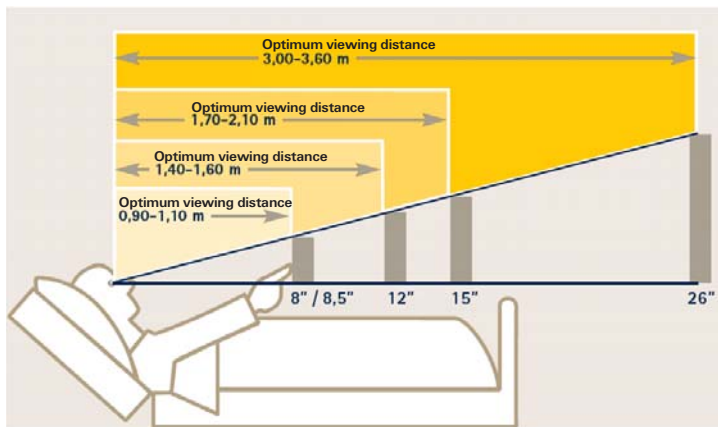
Bracket for side table  
with LCD TV8

# General

## Optimum viewing

Many people get a headache when watching TV. This may be due to bad picture quality or the wrong viewing distance.

The picture quality of the LCD televisions is among the best that is technically possible. There is a complete range of LCD television products in various sizes for the optimum viewing distance.



Ophthalmologists recommend a viewing distance of 5 times the screen diagonal - plus/minus 10 per cent like with our MediTec LCD TV8. In order to maintain this distance anywhere, a flexible mounting system which adjusts to every lying and sitting position is essential. Together with the LCD TVs, we offer a concept that suits all patients and local conditions.

With the right mounting brackets and the right TV, reactions such as fatigue, headaches, nausea and dizziness are a thing of the past.

*For more information, refer to our Care Communications Systems product catalogue (order no. PMCO06E)*

For further information on how Tyco can help you, contact your local sales representation or visit us at [www.tycoemea.com](http://www.tycoemea.com)  
Tyco reserves the right to modify or withdraw any product or service without notice.

Company stamp:

## Various membrane keyboards for LCD TVs

Every television is available with two different membrane keyboards:

Keyboard with room and reading light, information button for programme display and sleep timer.



Keyboard with room and reading light, with nurse call button.



## Basic features of LCD TVs

- TV cable tuner with hyperband
- USW stereo radio tuner
- 99-programme memory for TV
- 99-programme memory for radio (FM)
- Channel overview for TV and radio
- User guidance through on-screen displays
- Hygienic membrane keyboard in two versions
- Sound transmission via integrated stereo speakers or dynamic stereo headphones with 3.5 mm jack plug
- Volume control (32 levels)
- Programmable speaker cut-off
- Programmable volume limit with open sound
- Connection via a feed line with D-Sub-10W1 plug
- Power supply via power supply unit
- Reading light and room light button
- Sleep timer (15-90 minutes)
- AV interface for connecting DVD, video, music CD player, games console or digital TV