

Beacon Solex 10

Application

The Beacon is used to give an optical alarm-signal in rooms and at machinery.

Description

The beacon consists of a plastic housing with red lens, integrated electronics with supervision diode and the U-base with an O-ring seal.

The base is prepared for 2 x cable glands M 20x1,5.

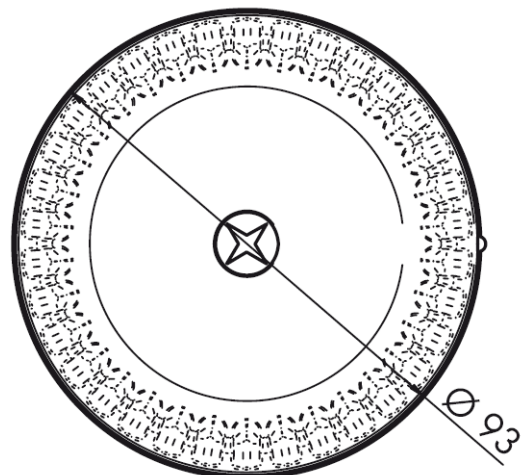
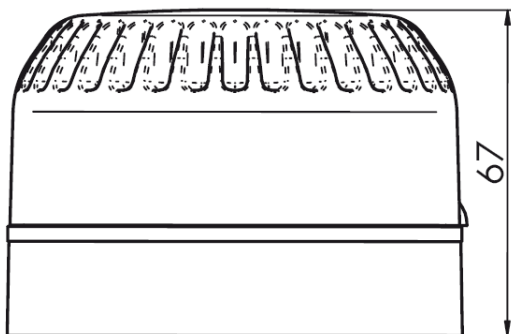
Technical Data

Nominal voltage:	10V ... 60V DC
Current consumption:	35 mA / 24 V DC
Light output:	10 Cd
Flash rate	1 Hz
Operating temperature:	- 25°C ... + 70°C
Protection class:	IP54 with shallow base IP65 with deep base
Lens:	Polycarbonate, red
Housing:	ABS, red
Base:	ABS, red
Weight:	~ 180 g
Approval:	VdS G 207018



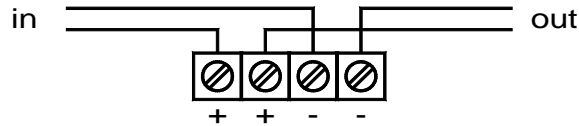
Order details

Description	Part-No	Remarks
Beacon Solex 10	K0 246 416 6	c/w shallow base
Deep base	K0 245 542 6	Option
Mounting bracket steel plate 1,5mm	K0 240 175 0	Painted black
Cable gland M20x1,5	K0 990 039 5	For cable Ø5 ... 12mm



Beacon Solex 10

Electrical connection



Mounting bracket

